



Features

- Wide Input Range
- RoHS Compliance
- Over Voltage Protective Installation
- Over Current Protective Installation
- Over Temperature Protective Installation
- Short Circuit Protective Installation
- LED Indication
- MTBF > 30,000 hours

EM1068 x Y - vv PP

x: Case type: 1. C14 2. C8 3. C6 6. C18

Y: Output range

vv: Specified output voltage, ie 24 is 24Vdc

PP: Connector type, ie 01 for EDACPOWER standard dc cable or please refer to the appendix page

Electrical Specifications

| MODEL No. | MAX. OUTPUT POWER (W) | OUTPUT VOLTAGE (Vo) | MIN. LOAD (Io) | MAX. LOAD (Io) | LOAD REGULATION | LINE REGULATION | RIPPLE & NOISE |
|-----------|-----------------------|---------------------|----------------|----------------|-----------------|-----------------|----------------|
| EM1068xA | 40W | 5V~9V | 0A | 5.0A | ± 5% | ± 3% | 100mV |
| EM1068xB | 40W | 12V~16V | 0A | 3.33A | ± 5% | ± 3% | 250mV |
| EM1068xC | 40W | 19V~24V | 0A | 2.10A | ± 5% | ± 3% | 350mV |
| EM1068xD | 40W | 32V~42V | 0A | 1.25A | ± 5% | ± 3% | 500mV |
| EM1068xE | 40W | 44V~56V | 0A | 0.90A | ± 5% | ± 3% | 720mV |
| EM1068xF | 50W | 5V~9V | 0A | 6.0A | ± 5% | ± 3% | 100mV |
| EM1068xG | 50W | 12V~16V | 0A | 4.16A | ± 5% | ± 3% | 250mV |
| EM1068xH | 50W | 19V~24V | 0A | 2.63A | ± 5% | ± 3% | 350mV |
| EM1068xJ | 50W | 32V~42V | 0A | 1.56A | ± 5% | ± 3% | 500mV |
| EM1068xK | 50W | 44V~56V | 0A | 1.13A | ± 5% | ± 3% | 720mV |
| EM1068xM | 60W | 5V~9V | 0A | 7.0A | ± 5% | ± 3% | 100mV |
| EM1068xN | 60W | 12V~16V | 0A | 5.0A | ± 5% | ± 3% | 250mV |
| EM1068xP | 60W | 19V~24V | 0A | 3.15A | ± 5% | ± 3% | 350mV |
| EM1068xQ | 60W | 32V~42V | 0A | 1.87A | ± 5% | ± 3% | 500mV |
| EM1068xR | 60W | 44V~56V | 0A | 1.36A | ± 5% | ± 3% | 720mV |
| EM1068xS | 72W | 5V~9V | 0A | 9.0A | ± 5% | ± 3% | 100mV |
| EM1068xU | 72W | 12V~16V | 0A | 6.0A | ± 5% | ± 3% | 250mV |
| EM1068xV | 72W | 19V~24V | 0A | 3.78A | ± 5% | ± 3% | 350mV |
| EM1068xL | 72W | 32V~42V | 0A | 2.25A | ± 5% | ± 3% | 500mV |
| EM1068xT | 72W | 44V~56V | 0A | 1.63A | ± 5% | ± 3% | 720mV |

NOTE:

1 : Ripple & Noise is measured by using 20MHz bandwidth limited oscilloscope and terminated each output with a 0.1uF ceramic capacitor & parallel with 47uF aluminum capacitor at full load and nominal line.

2 : Line regulation is defined by changing ±10% of input voltage from nominal line at rated load.

3 : Max. Power (W) ≥Vo x Io

Electrical Specifications

INPUT

- Input Range 100 to 240 VAC
- Frequency 50 to 60Hz
- Input Current ≤2.0A
- Inrush Current ≤100A At cold start
- Efficiency Meet CEC Level V, VI
- Hold Up Time ≥8.3mS
- Turn On Time ≤3s

OUTPUT

- Over Voltage Protection Latch off
- Short Circuit Protection Auto Recovery
- Over Current Protection Auto Recovery
- Over Temperature Protection Optional

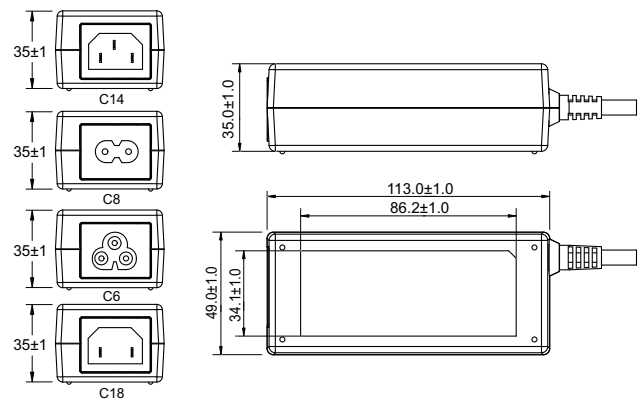
ENVIRONMENTAL

- Operating Temperature 0 to 40°C
- Storage Temperature -20 to 85°C
- Storage Humidity 5% to 90 %

SAFETY

- UL/CUL, TUV, CB, FCC, CE

Mechanical Specification



- Case Size: 113L x 49W x 35H (mm)
- AC Inlet: C14, C8, C6, C18
- Weight: 300g