



Features

- CEC Compliance
- RoHS Compliance
- IEC320 C14, C8
- Over Voltage Protective Installation
- Short Circuit Protective Installation
- Protection Type: Auto-Recovery
- MTBF: >30,000 hours

EM1060 x Y - vv PP

x: Case type: 1. C14 2. C8

Y: Output range

vv: Specified output voltage, ie 24 is 24Vdc

PP: Connector type, ie 01 for EDACPOWER standard dc cable or please refer to the appendix page

Electrical Specifications

MODEL No.	MAX. OUTPUT POWER (W)	OUTPUT VOLTAGE (Vo)	MIN. LOAD (Io)	MAX. LOAD (Io)	LOAD REGULATION	LINE REGULATION	RIPPLE & NOISE
EM1060xA	55W	13~17V	0	4.2A	± 5%	± 1%	250mV
EM1060xB	55W	18~24V	0	3A	± 5%	± 1%	350mV
EM1060xC	50W	12~17V	0	4.2A	± 5%	± 1%	250mV
EM1060xD	50W	18~24V	0	2.8A	± 5%	± 1%	350mV
EM1060xE	42W	12~17V	0	3.5A	± 5%	± 1%	250mV
EM1060xF	42W	18~24V	0	2.3A	± 5%	± 1%	350mV

NOTE:

1 : Ripple & noise is measured by using 20MHz bandwidth limited oscilloscope and terminated each output with a 0.1uF ceramic capacitor & parallel with 47uF aluminum capacitor at full load and nominal line.

2 : Line regulation is defined by changing ±10% of input voltage from nominal line at rated load.

3 : Max. Output Power (W) ≥Vo x Io

Electrical Specifications

INPUT

- Input Range 100 to 240 VAC
- Frequency 50 to 60Hz
- Input Current ≤1.5A
- Inrush Current ≤80A At cold start
- Efficiency 85% Typ.
- Hold Up Time ≥8.3mS
- Turn On Time ≤3s

OUTPUT

- Over Voltage Protection Auto Recovery
- Short Circuit Protection Auto Recovery

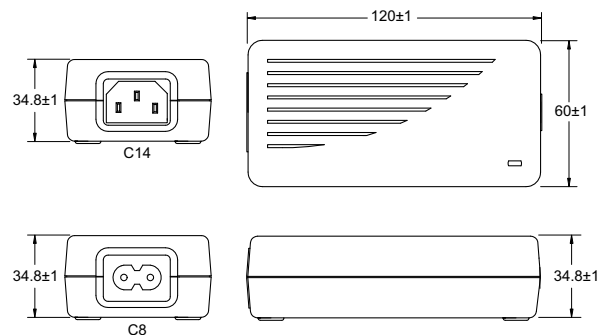
ENVIRONMENTAL

- Operating Temperature 0 to 40°C
- Storage Temperature -20 to 85°C
- Storage Humidity 5% to 95%

SAFETY

- UL/CUL UL60601, TUV/RH EN/IEC 60601, CB, CE, FCC

Mechanical Specification



- Case Size: 120Lx60Wx34.8H (mm)
- AC Inlet: C14, C8
- Weight: 280g