



Features

- CEC Compliance
- RoHS Compliance
- US Wall Mount Plug 2 Pin, 3 Pin
- Over Voltage Protective Installation
- Short Circuit Protective Installation
- Protection Type: Auto-Recovery
- High Operating Temperature 50°C
- MTBF: >30,000 hours

EM1036 x Y - vv PP

x: Output range

Y: Case type: U: US wall mount plug 2 pin

5: US wall mount plug 3 pin

vv: Specified output voltage, ie 24 is 24Vdc

PP: Connector type, ie 01 for EDACPOWER standard dc cable or please refer to the appendix page

Electrical Specifications

MODEL No.	MAX. POWER (W)	OUTPUT VOLTAGE (Vo)	MIN. LOAD	MAX. LOAD (Io)	LOAD REGULATION	LINE REGULATION	RIPPLE & NOISE
EM1036Ay	36W	9~15V	0	3A	± 5%	± 1%	240mV
EM1036By	30W	9~15V	0	2.5A	± 5%	± 1%	240mV
EM1036Cy	24W	9~15V	0	2A	± 5%	± 1%	240mV
EM1036Dy	18W	9~15V	0	1.5A	± 5%	± 1%	240mV
EM1036Ey	15W	9~15V	0	1A	± 5%	± 1%	240mV

NOTE:

1 : Ripple & noise is measured by using 20MHz bandwidth limited oscilloscope and terminated each output with a 0.1uF ceramic capacitor & parallel with 47uF aluminum capacitor at full load and nominal line.

2 : Line regulation is defined by changing ±10% of input voltage from nominal line at rated load.

3 : Max. Output Power (W) ≥Vo x Io

Electrical Specifications

INPUT

- Input Range 100 to 240 VAC
- Frequency 50 to 60Hz
- Input Current ≤1.0A
- Inrush Current ≤60A At cold start
- Efficiency 82% Typ.
- Hold Up Time ≥8.3mS
- Turn On Time ≤3s

OUTPUT

- Over Voltage Protection Auto Recovery
- Short Circuit Protection Auto Recovery

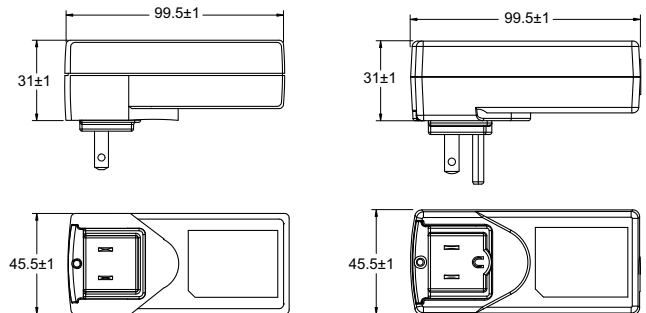
ENVIRONMENTAL

- Operating Temperature 0 to 50°C
- Storage Temperature -20 to 85°C
- Storage Humidity 5% to 95%

SAFETY

- UL UL60601

Mechanical Specification



- Case Size: 99.5Lx45.5Wx31H (mm)
- AC Plug: U: US wall mount plug 2 pin
5: US wall mount plug 3 pin
- Weight: 220g