



Features

- Wide Input Range
- RoHS Compliance
- Input Voltage Protective Installation
- Over Voltage Protective Installation
- Over Current Protective Installation
- Over Temperature Protective Installation
- Short Circuit Protective Installation
- LED Indication
- Dual output
- MTBF: > 30,000 hours

ED1097 x - vv PP

x: Output Voltage

vv: Specified output voltage, ie 24 is 24Vdc

PP: Connector type, ie 01 for EDACPOWER standard dc cable or please refer to the appendix page

Electrical Specifications

MODEL No.	MAX. OUTPUT POWER (W)	INPUT VOLTAGE (Vdc)	OUTPUT VOLTAGE (Vo)	LOAD		LOAD REGULATION	LINE REGULATION	RIPPLE & NOISE
				MIN. (Io)	MAX. (Io)			
ED1097	90W	11~16V	19~20V	0A	4.61A	± 5%	± 1%	290mV
			5.1V	0A	2.1A	± 5%	± 1%	150mV
ED1097A	90W	11~16V	19.5V	0A	4.61A	± 5%	± 1%	290mV
			5.1V	0A	2.1A	± 5%	± 1%	150mV

NOTE:

- 1 : Ripple & noise is measured by using 20MHz bandwidth limited oscilloscope and terminated each output with a 0.1uF ceramic capacitor & parallel with 47uF aluminum capacitor at full load and nominal line.
- 2 : Line regulation is defined by changing ±10% of input voltage from nominal line at rated load.
- 3 : Max. Output Power (W) ≥ Vo x Io

Electrical Specifications

INPUT

- Input Range 11 to 16 Vdc
- Input Current ≤10A
- Inrush Current No Damage to relative components
- Efficiency 90% Typ.
- Turn On Time ≤3s

OUTPUT

- Over Voltage Protection Auto Recovery
- Short Circuit Protection Auto Recovery
- Over Current Protection Auto Recovery
- Over Temperature Protection Auto Recovery

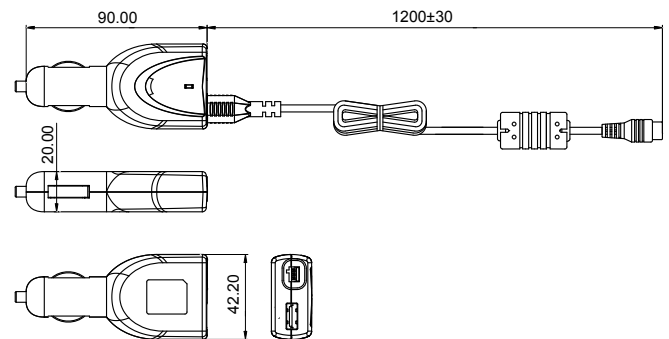
ENVIRONMENTAL

- Operating temperature 0 to 40°C
- Storage temperature -20 to 85°C
- Storage humidity 5% to 95%

SAFETY

- CE, FCC

Mechanical Specification



- Case Size: 90L x 42.2W x 20H (mm)
- Weight: 55g